

SpaceMax



Specifications

SpaceMax

Design Ascénder

The compact SpaceMax auditorium chair's silent auto uplift mechanism folds it into a narrow envelope just 7" deep, making it an excellent option for lecture halls, auditoriums and arenas where maximizing space is a priority and comfort is a necessity.

- Auto Uplift Seat
- Minimum 20.5" on Center Seat Spacing
- Minimum 33.5" Row Spacing
- Flat, Sloped or Tiered Floor Installations
- Straight or Radius Row Configurations

OPTIONS: Tablet Arm, Seat and Row Numbers, Full or Demi Back Panel, Movable Beam, Air Diffuser Pedestal, Storage Dolly

FINISHES:

Seat and Back: Fabric or Leather

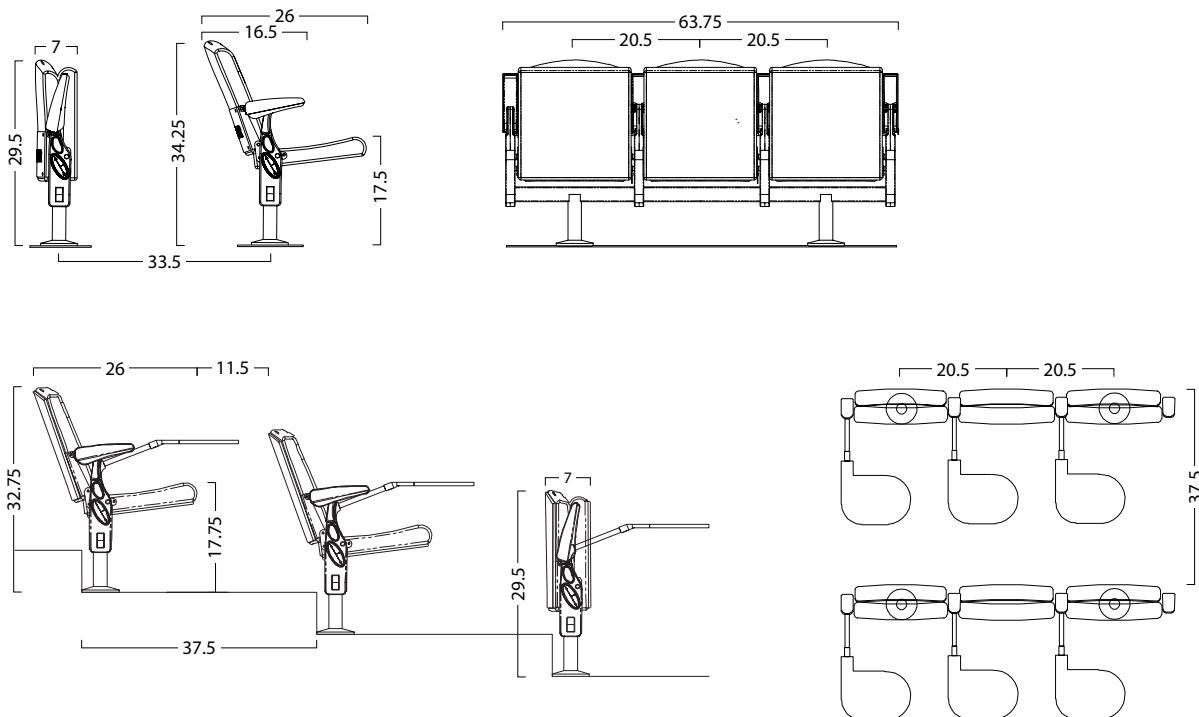
Armrests: Poly or Wood

Back Panel: Upholstery, Poly or Wood; Epoxy Coated Steel Demi Protector

Tablet Arm: Poly or Wood

FRAME: Silver or Black

Dimensions



866.892.6130 www.sediasystems.com

sediasystems



Manufactured for Sedia Systems by ASCÉNDER

©Sedia Systems Inc. Printed on FSC certified recycled paper